



High quality MPEG-4 and JPEG dual streaming network camera

Key Features

- MPEG-4/JPEG digital signal output at VGA image size with up to 30 ips
- MPEG-4 and JPEG dual stream output for simultaneous real time monitoring and high resolution recording
- Progressive output provides clear images, even when the subject is moving.
- High sensitivity: 1.1 lux at F1.2, 1.5 lux at F1.4
- Electronic sensitivity enhancement: Auto (Up to 16x) / OFF
- Electronic shutter for anti flicker
- VMD (Video Motion Detector) with 4 programmable detection areas and 6 sensitivity levels
- Meta data for VMD is supplied to work with the WJ-ND400 playback VMD function.
- Monitor output for easier installation
- Up to 3x digital zoom with controlled by browser
- Camera title display: Up to 20 alphanumeric characters on browser
- SD Memory card slot for alarm recording and backup upon network failure. Recorded data can be downloaded by using FTP command.
- Alarm sources including Terminal input, VMD and Panasonic alarm command can trigger actions including SD memory recording/FTP image transfer, E-mail notification, Alarm indication, Terminal output and Panasonic protocol output.
- Built-in microphone for audio (1-way)
- Built-in network interface (10Base-T / 100Base-TX)
- Power over Ethernet (PoE) IEEE 802.3af.
- Multiscreen: Images from 8 cameras can be displayed in 2 separate Quad screens (JPEG only). 20 characters camera title is available for each camera.
- FTP client function enables periodic image data transfer or transfer upon alarm.
- Alarm e-mail notification

- Max. bit rate/client (64 / 128 / 256 / 512 / 1,024 / 1,536 / 2,048 / 3,072 / 2,048 / 4,096 kbps) or frame rate priority mode (4,096 kbps / Unlimited) for MPEG-4 and Total bit rate control (64 / 128 / 256 / 512 / 1,024 / 2,048 / 4,096 kbps / Unlimited) allowing flexible network management.
- Supported Protocol: TCP/IP, UDP/IP, HTTP, RTSP, RTP, RTP/RTCP, FTP, SMTP, DHCP, DNS, DDNS, NTP, SNMP
- Internet mode: MPEG-4 images can be transmitted over HTTP protocol.
- Multi-language GUI and setup menu: English, French, Italian, Spanish, German, Russian (PAL) / English, French (NTSC) * Installation required except for English

Standard Accessories

• CD-ROM*	1 pc.	The following parts are used during installation procedures.	
• Operating Instructions (English version)	1 pc.		
• Code Label	1 pc.		
• Power cord (only for the WV-NP240)	1 pc.		
		• Safety wire lug (for wall)	1 pc.
		• Safety wire plate (for ceiling)	1 pc.
		• Screw (M2.5)	1 pc.
		* Panasonic IP setting software, the viewer software and the operating instructions (PDF) are included on the CD-ROM.	

Optional Accessories

1/3 inch 2x Varifocal Lens
WV-LZA61/2S
(3.8 ~ 8 mm)
F1.4 (Wide)
F1.8 (Tele)



1/3 inch 8x Varifocal Lens
WV-LZ62/8S
(5 ~ 40 mm)
F1.6 (Wide)
F1.9 (Tele)

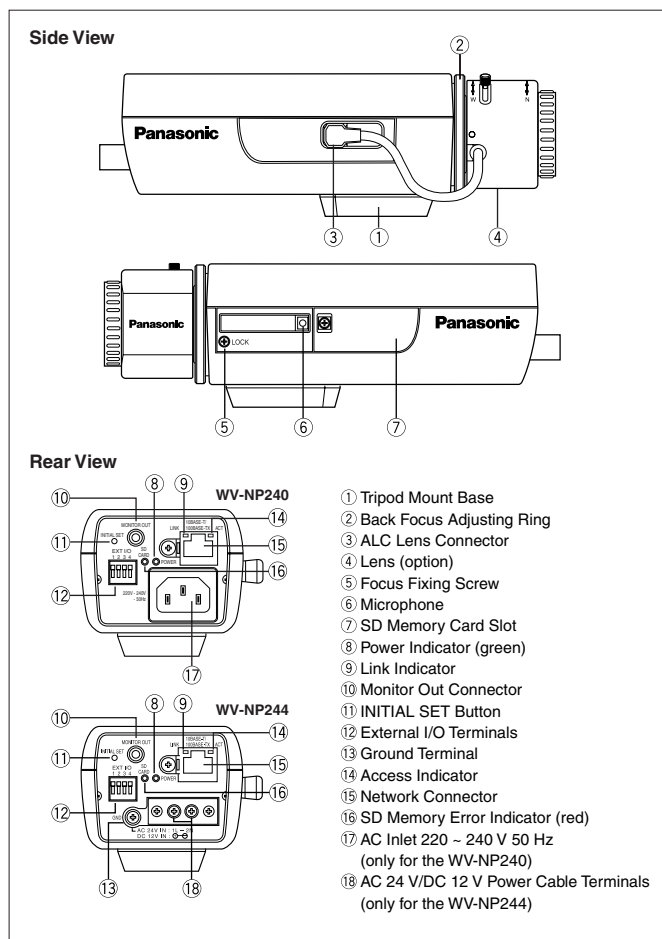


Specifications

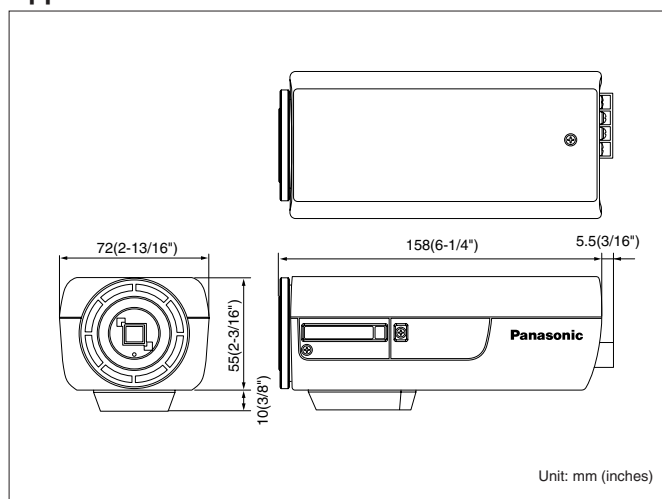
TV System	NTSC	PAL
Camera	1/3 inch progressive scan CCD	
Effective Pixels	659 (H) x 494 (V)	
Scanning Mode	Progressive scan	
Scanning Area	4.8 (H) x 3.6 (V) mm	
Minimum Illumination	Color (30IRE): 1.5 lux (Sens up: OFF), 0.09 lux (Sens up: 16x) at F1.4	
White Balance	AUTO / HOLD	
Light Control	ALC or ELC	
BLC	ON / OFF	
AGC	Always ON	
Electronic Shutter	For flicker less mode: 1/100 ~ 3/100 (Auto select)*	
Electronic Sensitivity UP	OFF / AUTO (2x, 4x, 8x, 16x)	
Digital Zoom	1x, 1.5x, 2x, 2.5x, 3x, Controlled by browser GUI	
Video Motion Detector	4 areas, 6 Sensitivity: High / Middle / Low	
Back Focus Adjustment	Manual	
Lens Mount	CS-mount	
Synchronization	Internal	
Browser GUI	Brightness, AUX ON/OFF	
Display Mode	Spot, Quad: Image from 8 cameras can be displayed in 2 different Quad screens (JPEG only). 20 characters camera title available.	
Digital Zoom	1x, 1.5x, 2x, 2.5x, 3x, Zoom by camera	
Camera Title	Up to 20 alphanumeric characters	
Clock Display	Time: 12H / 24H, Date: 5 formats on the browser, Summer time (Manual)	
Alarm Control	Reset	
One Shot Capture	A still picture is displayed on a newly opened window.	
Audio	ON / OFF	
GUI / Setup Menu Language	English, French (Installation required for French)	English, French, Italian, Spanish, German, Russian (Installation required except for English)
System Log	Up to 100 (Internal), Up to 4,000 (SD memory) error logs	
Supported OS	Microsoft® Windows Vista® Business 32 bit, Microsoft® Windows® XP Home/Professional SP2, Microsoft® Windows® 2000 Professional SP4 The language of the OS must be same as selected GUI language.	
Supported Browser	Windows® Internet Explorer® 7.0 (Microsoft® Windows Vista® Business 32 bit), Microsoft® Internet Explorer® 6.0 SP2 (Microsoft® Windows® XP Home/Professional SP2), Microsoft® Internet Explorer® 6.0 SP1 (Microsoft® Windows® 2000 Professional SP4)	
Network	Network IF	
Image Resolution	10Base-T / 100Base-TX, RJ45 connector IEEE 802.3af. PoE compatible	
Image Compression	VGA (640 x 480) / QVGA (320 x 240)	
Image Refresh Rate	MPEG-4: Image quality: LOW / NORMAL / FINE, Transmission type: UNICAST / MULTICAST JPEG: Image quality: 10 steps, Transmission type: PULL / PUSH MPEG-4 and JPEG dual streaming, JPEG multi-resolution supported.	
Audio Compression	0.1 / 0.2 / 0.33 / 0.5 / 1 / 2 / 3 / 5 / 6 / 10 / 15 / 30 ips (Max. rate will be 5 ips-VGA, 10 ips-QVGA when transmitting JPEG and MPEG-4 simultaneously)	
Total Bit Rate	G.726 (ADPCM) 32 kbps / 16 kbps	
Max. Bit Rate / Client (MPEG-4)	64 / 128 / 256 / 512 / 1,024 / 2,048 / 4,096 kbps and unlimited	
Supported Protocol	64 / 128 / 256 / 512 / 1,024 / 1,536 / 2,048 / 3,072 / 4,096 kbps or Frame rate priority (4,096 kbps / Unlimited)	
FTP Client	TCP/IP, UDP/IP, HTTP, RTSP, RTP, RTP/RTCP, FTP, SMTP, DHCP, DNS, DDNS, NTP, SNMP	
No. of Simultaneous Users	Alarm image transfer, FTP Periodic transfer	
SD Memory Card (Option)	8 (Depends on network conditions)	
Alarm E-mail	Alarm REC / Backup upon network failure. Compatible SD card: Panasonic 64 MB, 128 MB, 256 MB, 512 MB, 1 GB, 2 GB model	
User Registration	Up to 4 e-mail addresses	
User/Host Level	Up to 16 users	
Security Measures	3 Levels: Administrator, Camera control, Live only User authentication (ID 32 digit, PW 32 digit), Host authentication (IP address)	
Alarm	Alarm Source	
Alarm Actions	VMD, Command alarm, Terminal input	
Input / Output	SD memory recording/FTP image transfer, e-mail notification, Terminal output, Indication on browser, Panasonic protocol output	
Monitor Output	1.0 V [p-p] / 75 Ω / NTSC composite signal / ø3.5 mm mini jack	1.0 V [p-p] / 75 Ω / PAL composite signal / ø3.5 mm mini jack
External I/O Terminals	1x Alarm input / 1x Alarm output, 1x AUX output	
Microphone	Built-in microphone	
General	Safety/EMC Standard	
Power Source / Consumption	UL (UL60065), FCC (Part15 ClassA), C-UL (CAN/CSA C22.2 No.60065), DOC (ICES003 ClassA)	CE (EN60065, EN55022 ClassB, EN55024), GOST (GOST R 51558)
Ambient Operating Temperature	24 V AC, 60 Hz 4.8 W / 12 V DC 400 mA / PoE (IEEE802.3af): 4.2 W	
Ambient Operating Humidity	WV-NP240: 220 ~ 240 V AC, 50 Hz, 5.0 W / PoE (IEEE802.3af): 4.2 W WV-NP244: 24 V AC, 50 Hz 4.8 W / 12 V DC 400 mA / PoE (IEEE802.3af): 4.2 W	
Dimensions	-10 °C ~ +50 °C (14 °F ~ 122 °F)	
Weight	Less than 90 % (without condensation)	
	72 mm x 65 mm x 158 mm (2-13/16" x 2-9/16" x 6-1/4")	
	Approx. 450 g (0.99 lbs.)	
	WV-NP240: 470 g (1.03 lbs.) WV-NP244: 450 g (0.99 lbs.)	

* Flicker may appear when the object is darker than specified level.

Part Names and Functions



Appearance



Trademarks and registered trademarks

– Microsoft, and Windows are registered trademarks of Microsoft Corporation in the U.S. and other countries.
– "Super Dynamic", "SDII", "SDIII" and "i-Pro" logos are trademarks or registered trademarks of Panasonic Corporation.

Important

– Safety Precaution: carefully read the operating instructions and installation manual before using this product.
– Panasonic can not be responsible for network performance and/or other manufacturer products that reside on the network.

- All TV pictures are simulated.
- Weights and dimensions are approximate.
- Specifications are subject to change without notice.
- These products may be subject to export control regulations.
- All product pictures are NTSC models.

DISTRIBUTED BY:

Panasonic

<http://panasonic.net/security/>

Printed in Japan (2A-007AA)